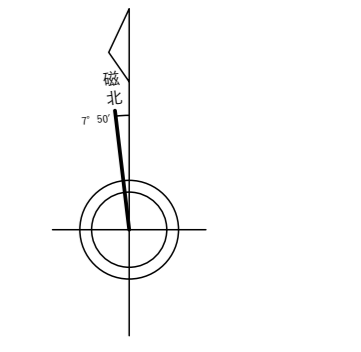


今治市都市計画図 22

Grid reference table showing page numbers 28, 21, 12, 29, 22, 13, 30, 23, 14.

行政区画
愛媛県
今治市



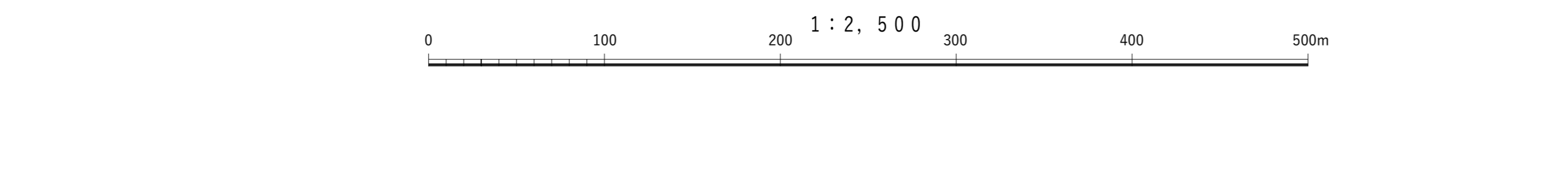
記号

Detailed legend for symbols used in the map, including various types of buildings, parks, and infrastructure.



株式会社パスコ調製

Table with columns for scale, date, and technical specifications: 縮尺 原簿高 第IV号, 縮尺 1:2,500, 縮尺原簿 2号, 縮尺原簿 T.P. + 0.88m.



Measurement notes and disclaimer: 『この測量成果は、国土地理院長の承認及び助言を得て...』